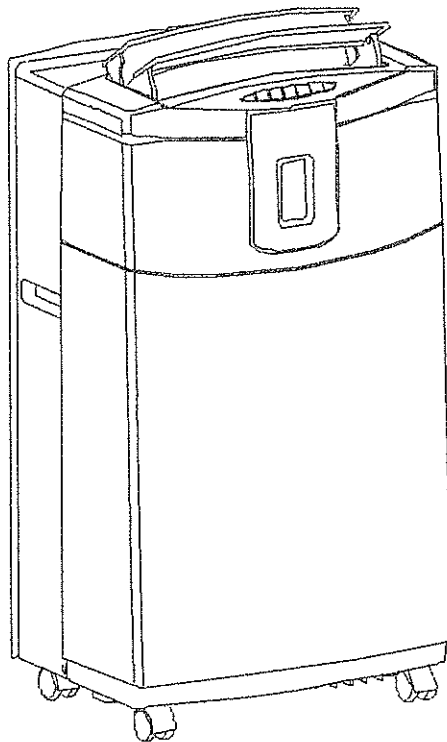




**MODEL: GDC10RWA/GDC12RWA
GDC15RWA/GDC12RCWA
GDC15RCWA**

INSTRUCTIONS FOR USE



PORTABLE AIR CONDITIONER

VERY IMPORTANT!

Do not install and use your portable air conditioner unit before carefully reading this instruction manual.

Please retain this manual for product warranty and future reference

CAUTION!

1. "DO NOT BLOCK VENTILATION"! Please make sure the inlet and outlet ventilation is not blocked at all times.
2. Operate this unit on a horizontal surface to avoid water leakage.
3. Do not operate this unit in an explosive or corrosive atmosphere.
4. Operate this unit in an ambient of 17~43 degree centigrade when the unit is in the cooling function. Contrarily, when the unit is in the heating function, the ambient temperature is 5~ 23 degree centigrade. (heating function just for model number GDC12RCWA/ GDC15RCWA) .
5. Clean the air filter periodically to enjoy the most efficient cooling.
6. When the unit is turned off, please wait at least 3 minutes before restarting it. This is to prevent the compressor from being damaged.
7. This unit needs at least 10 Amps of electricity to have its compressor operational. Please do not use any extension cords with this unit.
8. This unit is for indoor operation only.
9. Make sure the adjustable air vent is open, and also the exhaust pipe and drain pipe are removed and extended to the closest window before using.
10. When the supply cord is damaged, it must be replaced by the manufacturer, its service agent or similarly qualified persons in order to avoid hazard.
11. The batteries must be removed from the appliance before it is scrapped and that they are disposed of safely.
12. This appliance is not intended for use by persons (including children) with reduced physical, sensory or mental capabilities, or lack experience and knowledge, unless they have been given supervision or instruction concerning use of the appliance by a person responsible for their safety.

13. Children should be supervised to ensure that they do not play with the appliance.

Important.

The air conditioning unit must always be stored and transported upright.

In case of doubt we suggest to wait for at least 24 hours before you start the air-conditioning unit.

CONGRATULATIONS ON YOUR SELECTION OF A QUALITY PORTABLE AIR CONDITIONER

PORTABLE AIR CONDITIONER

Your Air Conditioner has been designed and manufactured to the highest standards of modern engineering.

One of its many features is a remote control device which allows you to control all functions conveniently.

- **Moves easily from room to room on easy glide castors**
- **No installation required-just plug into any household 10 Amp power outlet**
- **Refrigerated air system designed to cool instantly whenever you want it**
- **Heated air system design heats instantly whenever you want it**
- **Dehumidified filtered air cycle for improved breathing conditions due to the powerful dehumidification process**
- **If the remote control function is not required, your one touch electronic pad provides easy to identify manual operation**
- **24 hour programmable timer that can be used with either the air**

conditioning or dehumidification setting

-Unique sleep control function

-220-240 Volt 50Hz operation

-1.6 meter cord with plug

UNPACKING INSTRUCTIONS

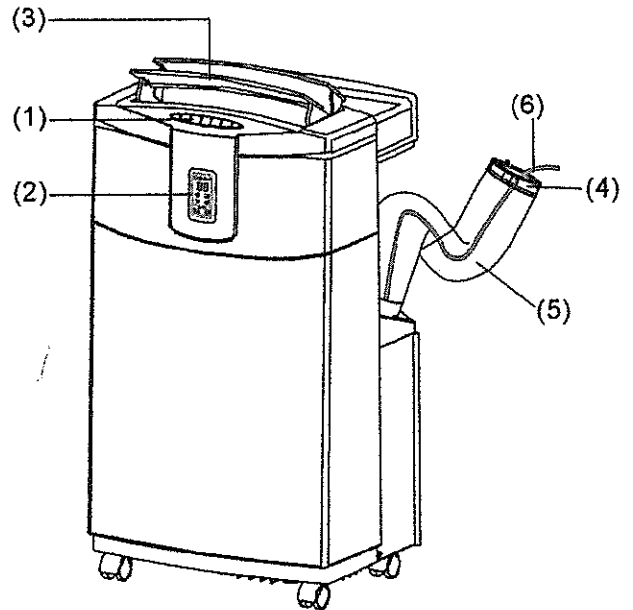
1. Place the unit in the correct upright position before unpacking.
2. Cut the two packing straps.
3. Slide the carton in an upwards motion and it will release from the base.
4. Grip the carry handles located on either side of the unit and carefully lift until it slides out of the foam base.

CONTENTS

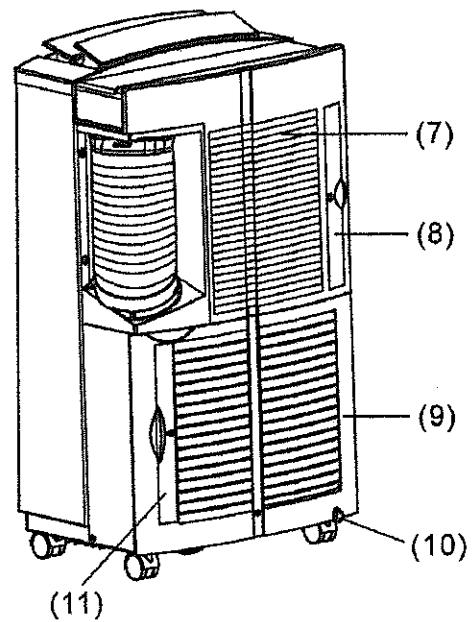
- 1 / Air control unit
- 2 / 1-remote control unit
- 3/ Window kit

NAMES OF THE PARTS

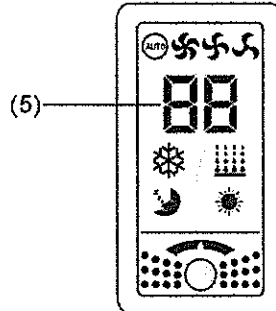
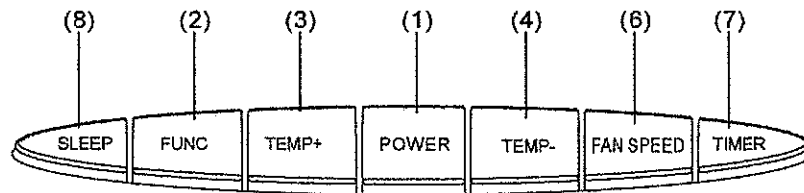
1. Tack switch
2. Display screen
3. Adjustable air vent
4. Joint tube
5. Exhaust tube
6. Drain hose



7. Cool inlet
8. Cool Air filter
9. Hot inlet
10. Drain pipe
11. Hot air filter



TACK SWITCH & DESCRIPTION OF FUNCTION



- 1. POWER KEY** Press to turn unit "ON" or "OFF".
- 2. FUNCTION** Press this key to select either refrigerated air or dehumidification cycle. (heating function just for model number GDC12RCWA/ GDC15RCWA)
- 3. TEMPERATURE REGULATION KEY (UP)**

This key raises the preset temperature by 1°C each time it is pressed to a maximum of 31
- 4. TEMPERATURE REGULATION KEY (DOWN)**

This key lowers the preset temperature by 1°C each time it is pressed to a minimum of 17

※ In normal conditions, the temperature data which appears on the panel is the ambient temperature, not the temperature which is set by the user. When the user has adjusted and set the temperature to his requirement, the data on the panel will return to the ambient temperature 5 seconds later.

The ambient temperature will descend or change according to the temperature which is set by the user, but the temperature descendant time and speed will depend on the environment and space where the model is.

For example, if the ambient temperature is too hot or the room is too large, the speed for the temperature descent is absolutely slow, and the cooling efficiency will be poor as we
- 5. L.E.D. DISPLAY** Indicates the temperature or the time setting. After any time set the display will return to the preset temperature automatically.

Error Display

E1: Indicates open circuit or short circuit in room temperature sensor.

E2: Indicates open circuit or short circuit in pipe temperature sensor.

6. SPEED

Press to select either LOW, MEDIUM, HIGH or AUTO fan speed.

If "AUTO" is selected, the unit operates at maximum cooling capacity when the room temperature less the setting temperature is above 2°C.

When the room temperature less the set temperature is below 2°C, the unit operates at middle cooling capacity.

When the room temperature equal the set temperature, the unit operates at minimum capacity.

If "HIGH" is selected, the unit operates at maximum cooling capacity no matter what the setting temperature is. The "MEDIUM" OR "LOW" comes to the same.

7. PROGRAMMABLE

Programmable timer ON/OFF key.

TIMER

TIMER-ON: The timer-on is used to turn on the unit automatically after the set time is over.

(Timer-on key is correspond to the functional indicator light)

1. Press the "TIMER" key at stand-by status to set the time. Choose the function desired (refrigeration, heat or dehumidification.)
2. Once the set hour has come to an end, the unit will turn on automatically.
3. Press the "POWER" key before time out, the setting time will be cancelled and the unit will turn on.

TIMER-OFF: The timer-off is used to turn off the unit automatically after the setting time is over.

8. SLEEP CONTROL

FUNCTIE

1. Sleep comfort mode under cooling setting, the temperature will be increased by 1°C after 1 hour, subsequently, the temperature increased by 2°C after 2 hours. And it maintains

this setting without further changes.

2. Under dehumidification mode, no sleep mode can be chosen.
3. Low fan speed is maintained under sleep comfort mode.
4. Sleep comfort mode under heating setting, the temperature will be decreased by 1°C after 1 hour. Subsequently, the temperature will be decreased by 2°C after 2 hours. And it maintains this setting without further changes.

9."E7"/ ALARM

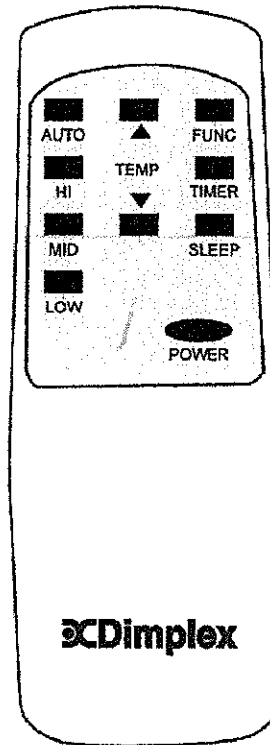
When the unit warns of full water, please unplug the water stopper at the back of the unit and then lean the unit to drain the water out. Then the unit can be restarted. If the E7 is presented again, please find a specialized person to repair. (For GDC12RCWA/GDC15RCWA)

Indicates condensed water drainage required. However, if the unit fails to get rid of the condensation in extremely humid weather, the water full alarm on the control panel will light up and the unit will stop to operate. To resume operation, simply remove the rubber cap of the drain hose to drain out the excessive condensation inside. (For GDC10-RWA/GDC12RWA/GDC15RWA)

Note: Heating function does not operate if the ambient temperature is over 23 °C.

GDC12RCWA/GDC15RCWA with heating function

REMOTE CONTROL FUNCTION



1. POWER

2. FUNC

3. TIMER

4. AUTO

5. HI

6. MID

7. LOW

8. SLEEP

9. TEMP.

Stop/Start switch

Function "MODE" selector

Hourly programming

Automatic fan speed

High fan speed

Medium fan speed

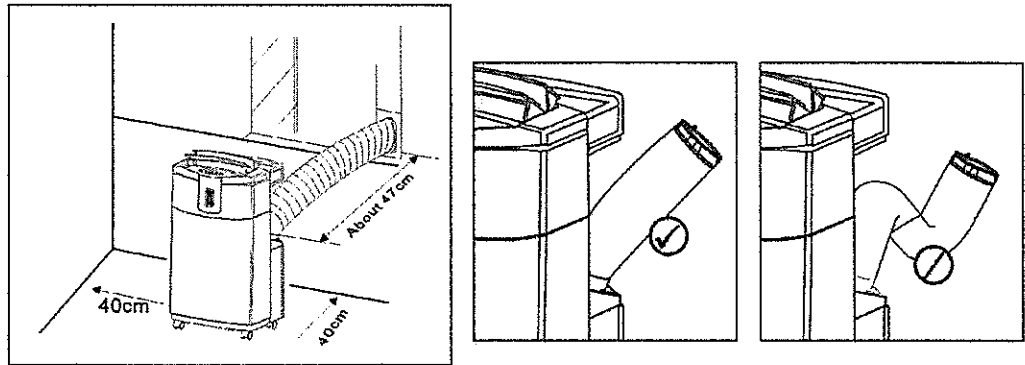
Low fan speed

Night operation selector

Temperature selector

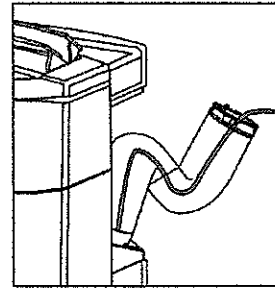
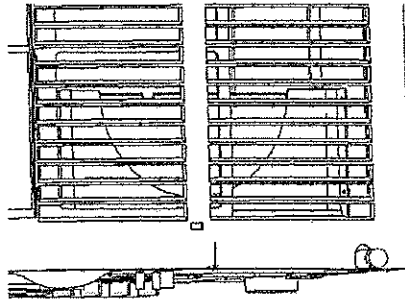
INSTALLATION

Install the portable air conditioner in a flat and spacious location where the air inlets and outlets will not be blocked. A minimum clearance of 40cm from a wall or other obstacles should be kept (as below picture). The appliance should not be used in the laundry.



NOTICE

This unit can evaporate the condensation and flow out through the exhaust hose automatically when the unit is in the cooling function. Contrarily when the unit is in heating function and the water level reaches the detected level, it will begin to pump for sixty seconds. After sixty seconds of pump function, if the water level is still on the detected level, the unit will stop working and present "E7" warning. Then after three seconds of relieving malfunction, the unit will rework automatically. Please make sure that the rubber cap is locked on the drain hose, and also the exhaust pipe and the drain pipe to be extended to the closest window when the unit is running.



MAINTENANCE

PLEASE DISCONNECT THE POWER CORD BEFORE.

AIR FILTER

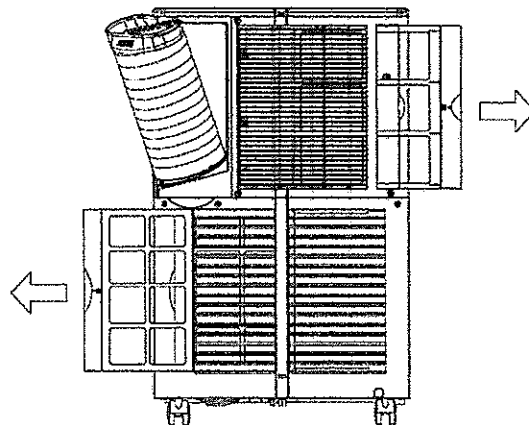
The air filter located on both sides of the unit can be removed, simply by pulling the frame in an upward motion.

CONDENSER/EVAPORATOR

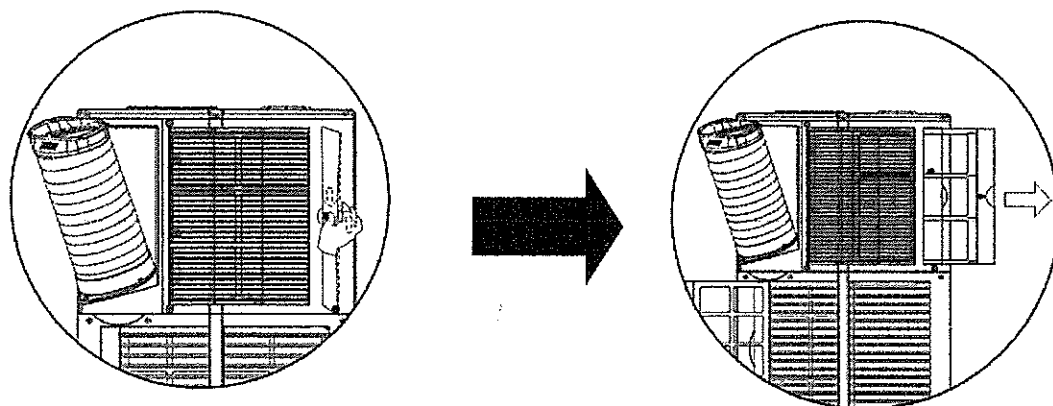
Use a brush attachment with a vacuum cleaner.

CABINET

Wipe with a damp cloth and polish with a soft cloth.



To remove the air filter, please follow the arrow direction and push the filter lightly. Then take out the filter for cleaning.

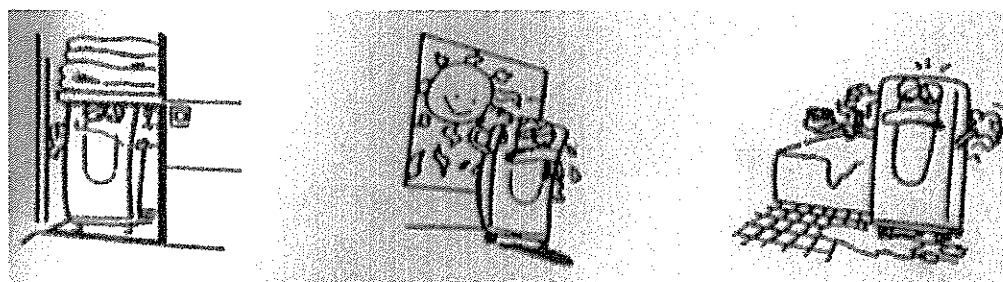


POWER SUPPLY

- (1) Confirm the correct power.
- (2) Insert the plug into the outlet firmly.
In case of a dangerous leak, prevent the AC cord from scarring.
- (3) Don't pull the power wire by force because it will cause damage to the power wire.

PLACE FOR USE

- (1) Because the machine exerts hot air, please don't operate it in a narrow place.
- (2) In case of dangerous leak, don't work the machine in a humid place.
- (3) Don't place the machine in a sunlit corner otherwise the colors soon fade out of the machine.



HELPFUL HINTS

The unit is fitted with a special thermal cut off device.

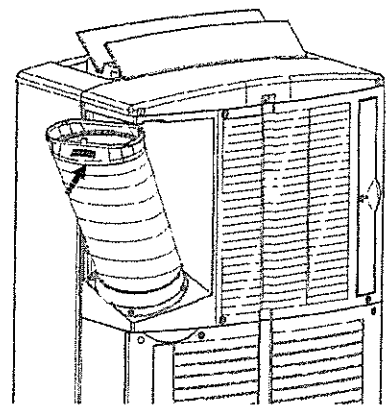
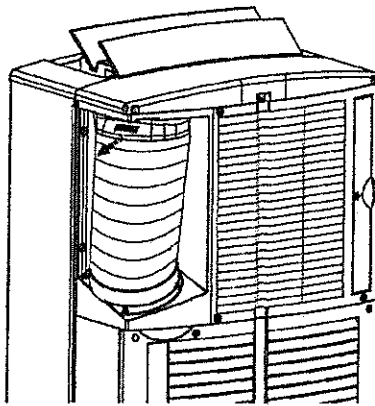
When selecting the refrigerating function, The unit should operate in room temperatures between 17-32°C, and when selecting heating function, the room temperature must less than 23°C and above 7°C.

Please ensure the unit is not placed against objects which will obstruct air intake e.g. furniture or curtains as this will affect it's performance drastically.

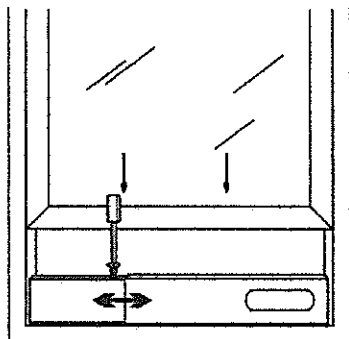
Do not place the unit in direct sunlight, as this may cause the unit to overheat and turn off.

EXHAUST PIPE AND DRAIN PIPE

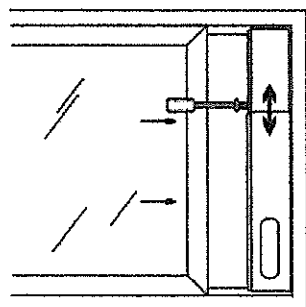
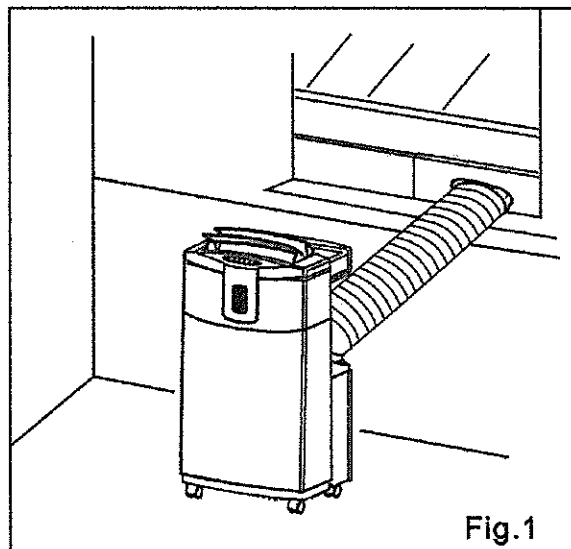
- To remove exhaust pipe, press slightly and pull away from the unit.
- Picture indicates the removal of the exhaust pipe.
- Made sure the exhaust pipe and the drain pipe to be extended to the closest window.



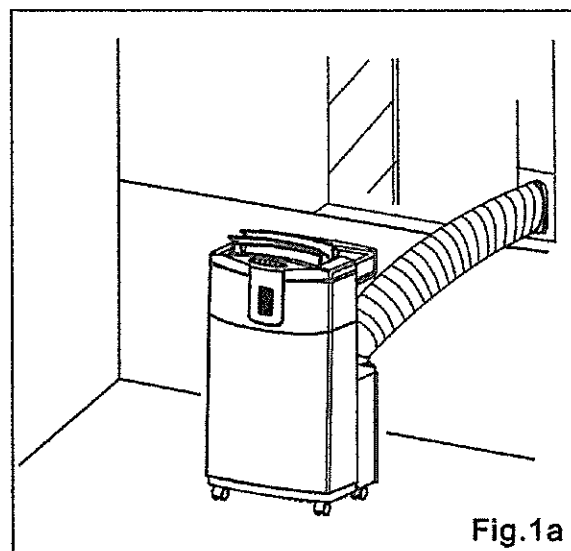
Install the Flexible Exhaust Hose and the Adjustable Window Slider Kit as depicted in Fig.1 & Fig.1a.



Window slider kit
min: 66cm
max: 120cm



Window slider kit
min: 66cm
max: 120cm



TROUBLE SHOOTING

| Never try to repair or dismantle the air conditioner unit yourself. Incompetent repairs result in loss of warranty and can endanger the user and the property. | | |
|--|--|---|
| Problem | Cause | Solution |
| The air conditioner does not function. | No power supply. | Connect to a functioning outlet and switch on. |
| | The alarm light is on. | Empty the internal water container. |
| | Timer function is active. | Deactivate TIMER function. |
| The air conditioner does not seem to perform. | In direct sunlight. | Close curtains. |
| | Windows or doors open, many people or a heat source in the room. | Close doors and windows, place an extra air conditioner. |
| | Dirty filter | Clean the filter(s). |
| | Air inlet or air outlet blocked. | Remove the blockage. |
| | Room temperature lower than the selected value. | Change temperature selection. |
| The unit is noisy. | Unit is not level. | Place on an even, solid surface (less vibrations.) |
| The compressor does not work. | The overheat protection is probably activated. | Wait 30 minutes until the temperature has decreased, then turn the unit on again. |
| The remote control does not function. | Distance too long. | Make sure the remote control is correctly aimed at the control panel. |
| | Remote control signal not detected by the control panel. | |
| | The batteries are drained | Replace the batteries. |
| To correct problems not mentioned in the table and/or if the recommended solutions fail to solve the problem, please contact an authorized service centre. | | |

SPECIFICATIONS

| | | |
|-------------------|------------------------|-----------------------|
| Model No. | GDC10RWA | GDC12RWA |
| Power Source | 220-240V~ 50Hz AC | 220-240V~ 50Hz AC |
| Power Consumption | 1245W | 1452W |
| Max Power | 1280W | 1480W |
| Cooling Capacity | 3000W | 3500W |
| Air Flow | 360 M ³ /H | 450 M ³ /H |
| Moisture Removed | 40 L/DAY | 50 L/DAY |
| Refrigerant | R410A | R410A |
| Min. room size | 10 – 20 m ² | 10 –30 m ² |
| Dimensions (mm) | 476Wx358Dx840H | 476Wx358Dx840H |
| Net Weight | 29KG | 32.5KG |

| | |
|-------------------|------------------------|
| Model No. | GDC15RWA |
| Power Source | 220-240V~ 50Hz AC |
| Power Consumption | 1826W |
| Max Power | 1850W |
| Cooling Capacity | 4400W |
| Air Flow | 450 M ³ /H |
| Moisture Removed | 60 L/DAY |
| Refrigerant | R410A |
| Min. room size | 20 – 40 m ² |
| Dimensions (mm) | 476Wx358Dx840H |
| Net Weight | 32.5KG |

| | | |
|-------------------|------------------------|------------------------|
| Model No. | GDC12RCWA | GDC15RCWA |
| Power Source | 220-240V~ 50Hz AC | 220-240V~ 50Hz AC |
| Power Consumption | | |
| Cooling / Heating | 1452W / 1452W | 1825W / 1825W |
| Max Power | | |
| Cooling / Heating | 1480W / 1480W | 1850W / 1850W |
| Cooling Capacity | 3500W | 4400W |
| Heating Capacity | 3500W | 4400W |
| Air Flow | 360 M ³ /H | 450 M ³ /H |
| Moisture Removed | 50 L/DAY | 60 L/DAY |
| Refrigerant | R410A | R410A |
| Min. room size | 10 – 30 m ² | 20 – 40 m ² |
| Dimensions (mm) | 476Wx358Dx840H | 476Wx358Dx840H |
| Net Weight | 30.5KG | 32.5KG |

Glen Dimplex Australasia Ltd

38 Harris Road, East Tamaki,

Manukau, Auckland 2013

New Zealand

Ph: 0800 666 2824

Fx: 0800 112 020

Glen Dimplex Australia Pty Ltd

2/205 Abbots Road,

Dandenong sth 3175, Victoria,

Australia

Ph: 1300 556 816

Fx: 1800 058 900